

SELF CONTAINED

H1P

SELF CONTAINED PROPANE CHILLER CABINET



ENHANCED ENERGY EFFICIENCY
& VERSATILITY

HUSSMANN[®]
A Panasonic Company

PRODUCT BENEFITS

- Ergonomic design for easy access
- Alternative shelving layouts to optimise merchandising
- Optimised display with LED lighting
- Low Total Energy Consumption (TEC)
- Product temperature compliance
- Simple to install and maintain

STANDARD FEATURES

- Internal and external powder coating
- Single row of 4000K LED canopy lighting
- 3 rows of undershelf lighting 4000K
- 4000K LED ticket strips
- 3 rows of 450mm powder coated unlit shelves
- Price Ticket Model (PTM) - 60mm
- Wire air return grill
- Galvanised base
- Night blind - manual slow release
- Stainless steel single rail
- Adjustable feet
- 50mm Castors
- Acrylic front
- Condensation removal
- Evaporator assembly fitted with valve
- EC fan motors
- Alarm probe fitted with conduit and draw wire
- Automatic condensing water discharge
- Refrigerant Propane R290

CUSTOMISATIONS

Shelving & Base Shelf

- Optional additional shelves and brackets
- Roller shelving (optional product divider)
- Wire or acrylic shelf fences (45mm, 75mm)

Lighting

- Under-shelf lighting

Ends

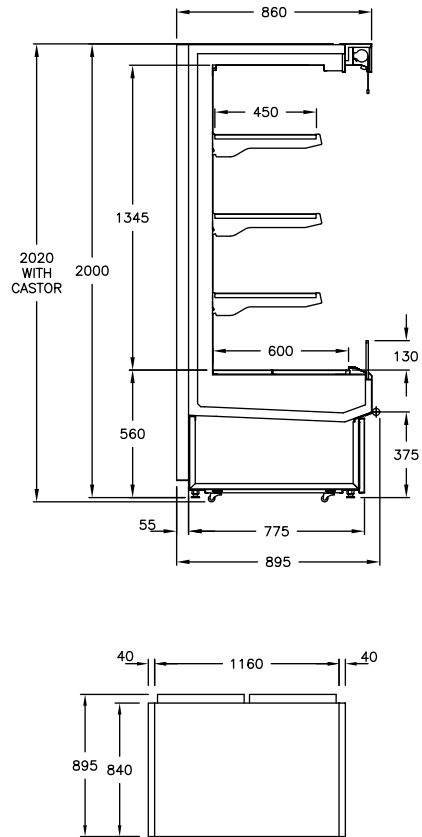
- Solid mirror ends
- Glass view end

Other

- Technology solutions
- Electronic shelf labels or video rail

Energy & Sustainability

- Air-Guide technology
- Door solutions



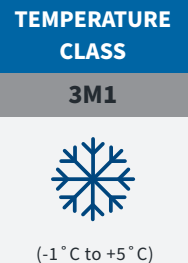
AVAILABLE LENGTHS

Excluding Ends: 1160

AVAILABLE DEPTHS

H1 - Range: 850

H1T - Range: 860



AVAILABLE COLOURS



Additional Information

All Dimensions shown in Millimetres (mm) unless otherwise stated. Dimensions and features are subject to change. Please obtain current technical information prior to order confirmation.

NOTE: We reserve the right to change or revise specifications and product design in connection with any feature of our products. Such changes do not entitle the buyer to corresponding changes, improvements, additions or replacements for equipment previously sold or Shipped.



Australia Head Office

66 Glendenning Road Glendenning, NSW 2761 Australia

ph. +612 8805 0400

w. www.hussmann.com.au